

**BETRIEBSANLEITUNG
OPERATING INSTRUCTIONS
INSTRUCTIONS DE SERVICE
ISTRUZIONI D'USO
HANDLEIDING
INSTRUCCIONES PARA EL MANEJO
MANUAL DE INSTRUÇÕES
NAUDOJIMOSI INSTRUKCIJA
KASUTUSJUHEND
LIETOŠANAS INSTRUKCIJA
DRIFTSINSTRUKS
DRIFTSINSTRUKTIONER
DRIFTSVEJLEDNING
INSTRUKCJA OBSŁUGI**


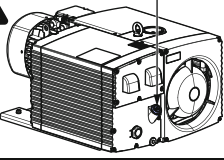


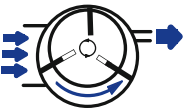




**KEZELÉSI ÚTMUTATÓ
NÁVOD K OBSLUZE
NAVODILO ZA UPORABO
NÁVOD NA OBSLUHU
UPUTE ZA RAD
MANUAL DE OPERATII
TREORACHA OIBRIÚCHÁIN
ΟΔΗΓΙΕΣ ΧΡΗΣΗΣ
EL KITABI
ИНСТРУКЦИИ ЗА ЕКСПЛОАТАЦИЯ
ИНСТРУКЦИЯ ПО ЕКСПЛУАТАЦИИ
取扱説明書
사용설명서
使用说明书**

U 5.166

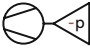
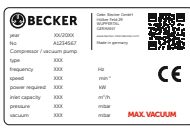
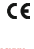

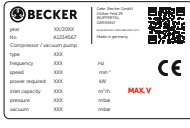

MAKE IT BECKER.







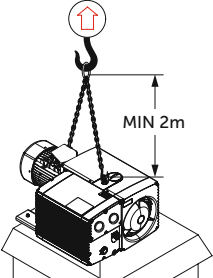




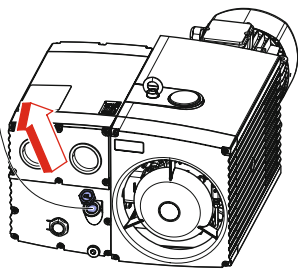
 **BECKER**

| | | |
|---|--|---|
|   |  <p>Becker Lube M/S/SL/SM 100 ▷ 5.0 Liter</p> | |
| |  | |
|  <p><input checked="" type="checkbox"/> AIR</p> |  |  |
| |  |  |


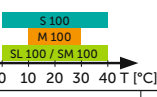

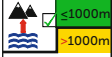
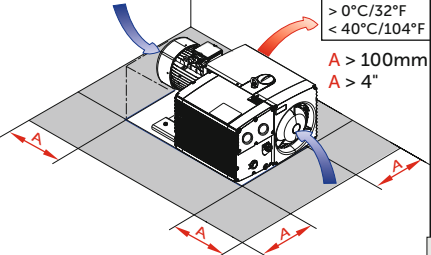
1

| | | | |
|---|--|---|---|
|  <p>MAX. VACUUM</p> |  |  | <p>mbar</p> |
| |  <p>MAX.</p> |  |  |
| <p>DIN EN ISO 11203 Accuracy Class 2 K_{pA} = 3 dB(A) l ← 1m</p> | | <p>L_{pA} = 70 dB(A) - 50Hz L_{pA} = 72 dB(A) - 60Hz</p> | |


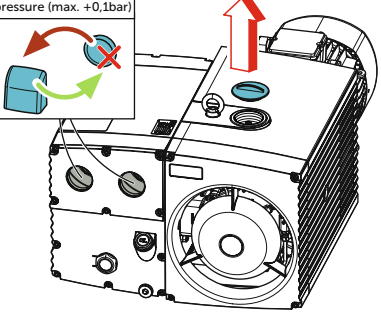
2

| | | | |
|--|---|---|---|
|  |  |  |  <p>104 kg 230 lbs</p> |
|  | | | |
|  <p>▶ 23 5.0 Liter</p> | |  <p>MAX</p> |   |
|  | | | |


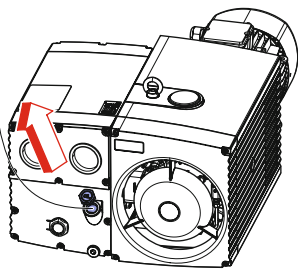
3

| | | | |
|---|---|---|--|
|  |  | <p>Avoid condensation</p>  <p>max. 90%</p> |  <p>Please consult BECKER</p> |
|  <p>A > 100mm A > 4"</p> | | | |

4

| | | | |
|---|---|--|--|
|  | <p>exhaust air has to escape without back-pressure (max. +0.1bar)</p> | | |
|  | | | |

5

| | | | |
|---|---|--|--|
|  | <p>exhaust air has to escape without back-pressure (max. +0.1bar)</p> | | |
|  | | | |

6

| | |
|-----------------|-----|
| Standard | |
| < 2m | G2 |
| > 2m...10m | G2½ |

VACUUM

7

| | |
|--|--|
| optional en option opcionale opcional | |
|--|--|

8

| | | | |
|--|--|--|--|
| | | | |
|--|--|--|--|

9

10

| | |
|--|----------|
| | Standard |
| | Optional |

p_{abs} [mbar]

Standard | Optional

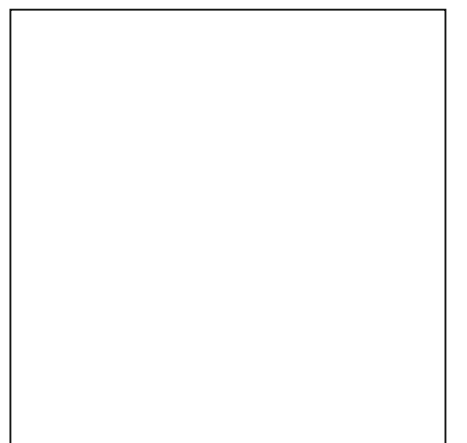
0 | |

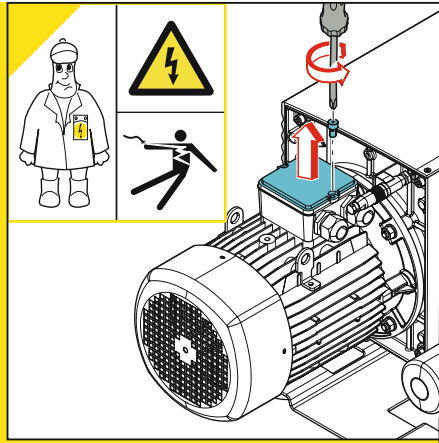
Standard **0.1/1.0 mbar [abs]**

Optional **0.1/3.0 mbar [abs]**

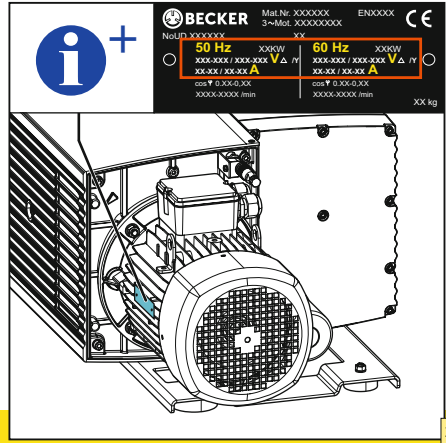
Spare parts list

11

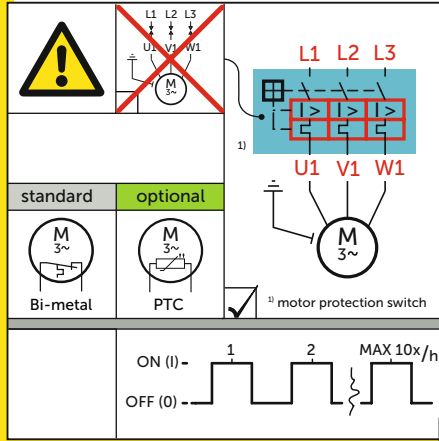




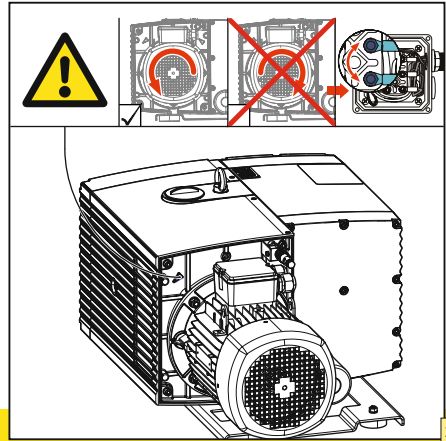
12



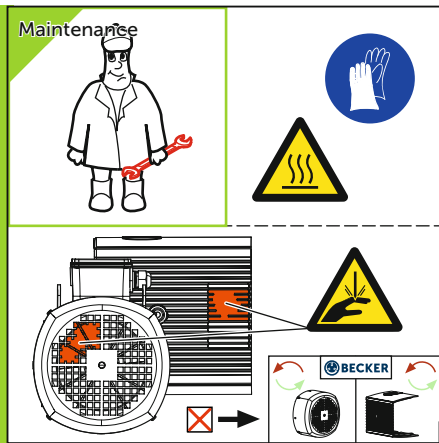
13



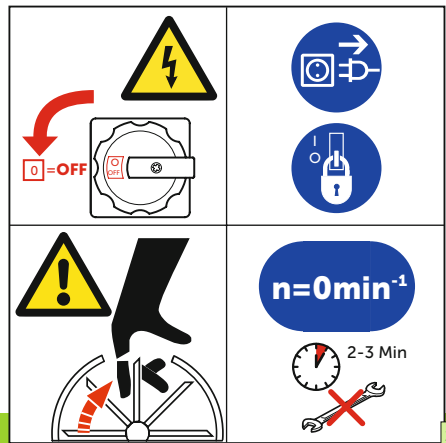
14




15



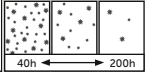
16



17




40-200 h

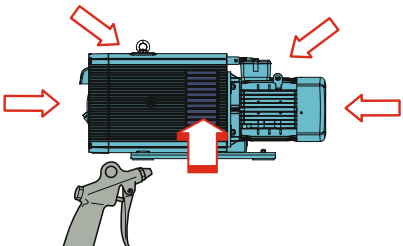


40h → 200h


AMBIENT AIR ?




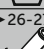
EN149 - FFP3
42 CFR 84 - N100

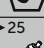


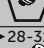
18


▶ 24 


▶ 21 

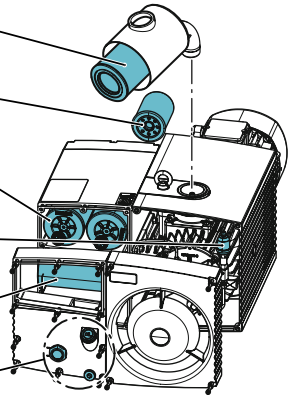
▶ 26-27 

▶ 25 

▶ 28-31 

▶ 20-23 







19

MAX ▼
MIN ▲

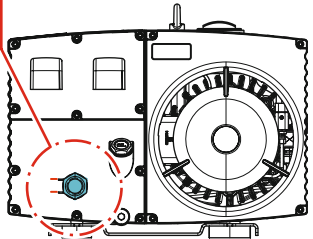
40 h



< MIN





Becker Lube M/S/SL/SM 100




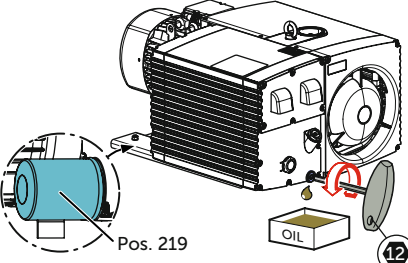
20

1. = 500 h
2. = 2000 h
3. = 4000 h
... (min. 2x/a)




OIL + 





Pos. 219


21



▶ 23 

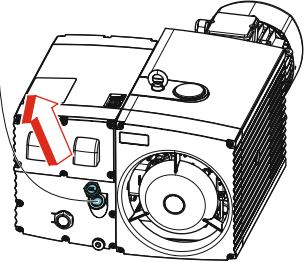
5.0 Liter

!

MAX ▲

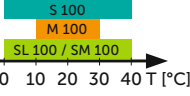




22

Oil

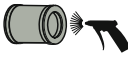
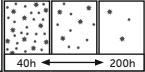


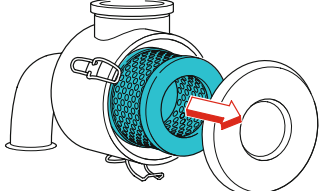
0 10 20 30 40 T [°C]

!

| | |
|---|-------------|
| Becker Lube M 100 (Mineral oil) | |
| - 1 Liter | 96000900001 |
| - 5 Liter | 96000900201 |
| Becker Lube S 100 (Synthetic oil) | |
| - 1 Liter | 96001600101 |
| - 5 Liter | 96001600201 |
| Becker Lube SL 100 (Food packaging) | |
| - 1 Liter | 96002300101 |
| - 5 Liter | 96002300201 |
| Becker Lube SM 100 (Food processing) | |
| - 1 Liter | 96003700301 |
| - 5 Liter | 96003700401 |

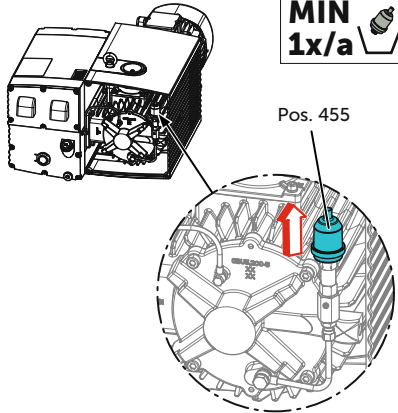
23

| | | |
|---|---|---------------------------|
|  |  | MIN 1x/a |
| 40-200 h | INTAKE AIR ? | |




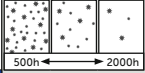
24

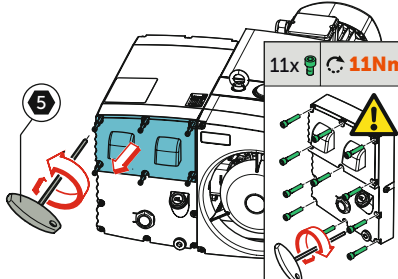
| |
|---------------------------|
| MIN 1x/a |
|---------------------------|

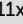


Pos. 455


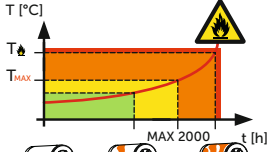

25

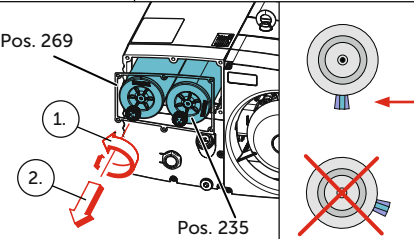
| | | |
|---|---|---|
|  |  | 0-400 mbar abs. 400 not permitted |
| MAX 2000 h | INTAKE AIR ? | VACUUM |



11x  **11Nm**

26




| | |
|---|--|
|  |  |
|  | MAX 2000 t [h] |

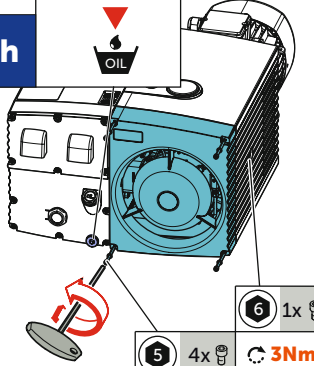



Pos. 269



Pos. 235

27

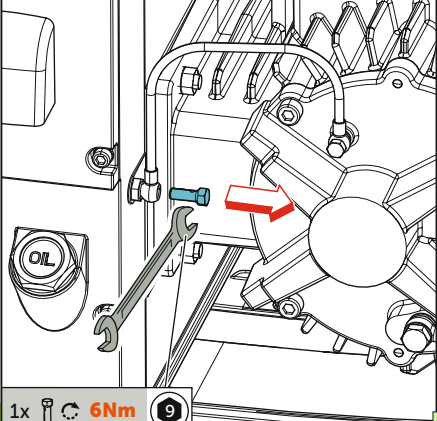
| | | |
|---|--|--|
|  | 1.  | 2.  |
| 6000 h | OIL | |




6  **1x**

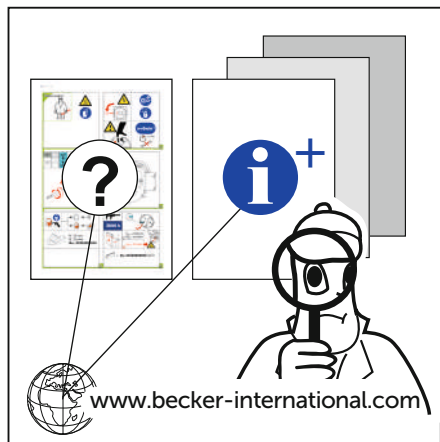
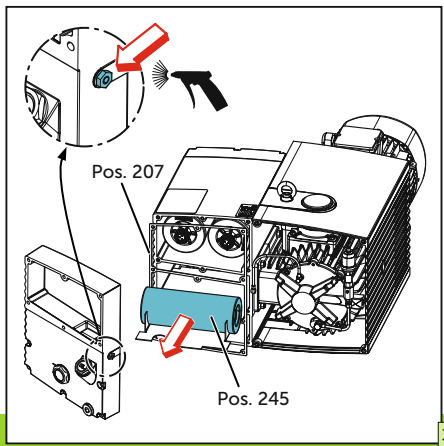
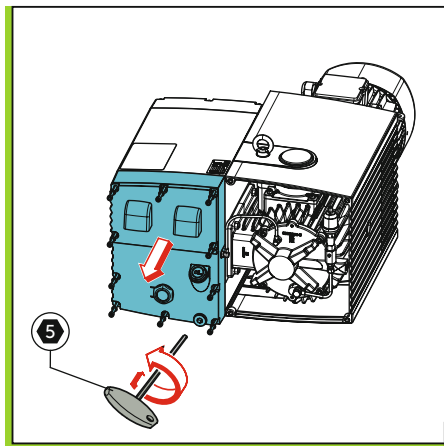
5  **4x**  **3Nm**

28




9  **6Nm**

29



Gebr. Becker GmbH
Hölker Feld 29-31
D-42279 Wuppertal
info@becker-international.com
www.becker-international.com





MAKE IT BECKER.

28100054330 | 2021-01-14 | All rights reserved